

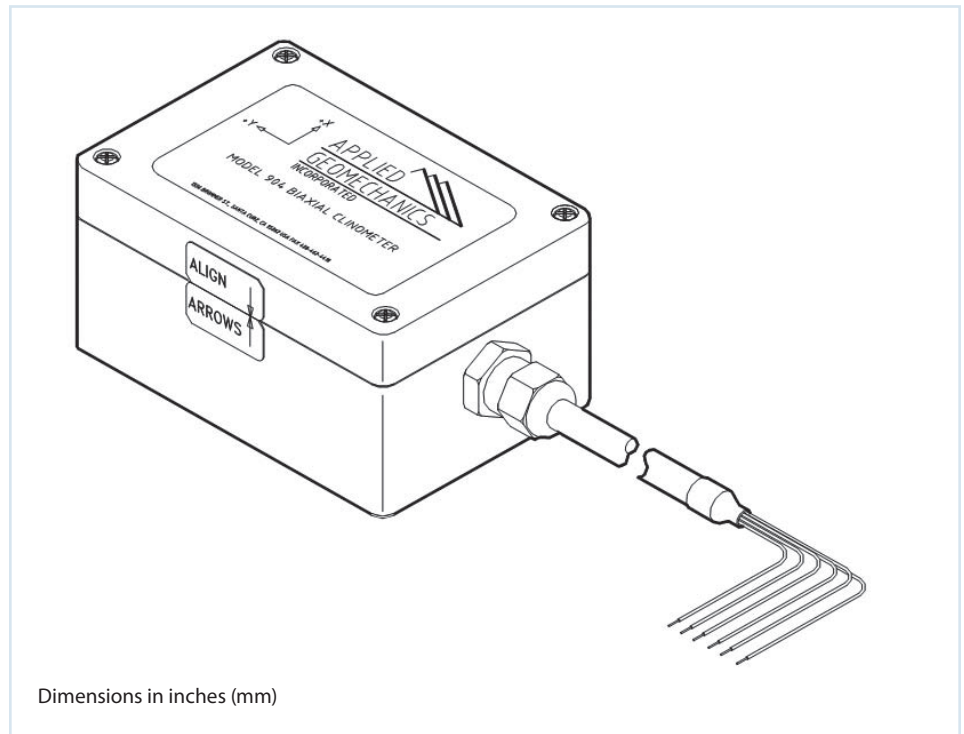
Model 904-T Clinometer Pak

The Clinometer Pak is a low-cost, analog output, biaxial clinometer for a wide variety of test and measurement applications. A liquid-filled electrolytic transducer comprises the sensing element. The transducer is excited and read by stable, low-noise electronics.

The clinometer is housed in a weatherproof NEMA 4X (IP65) enclosure and provides analog voltage signals for X tilt, Y tilt and temperature. Each "Clinometer Pak" comes standard with a 10 ft (3m) cable. Cable lengths to 1650 ft (500 m) are available.



Dual-Axis Clinometer Pak



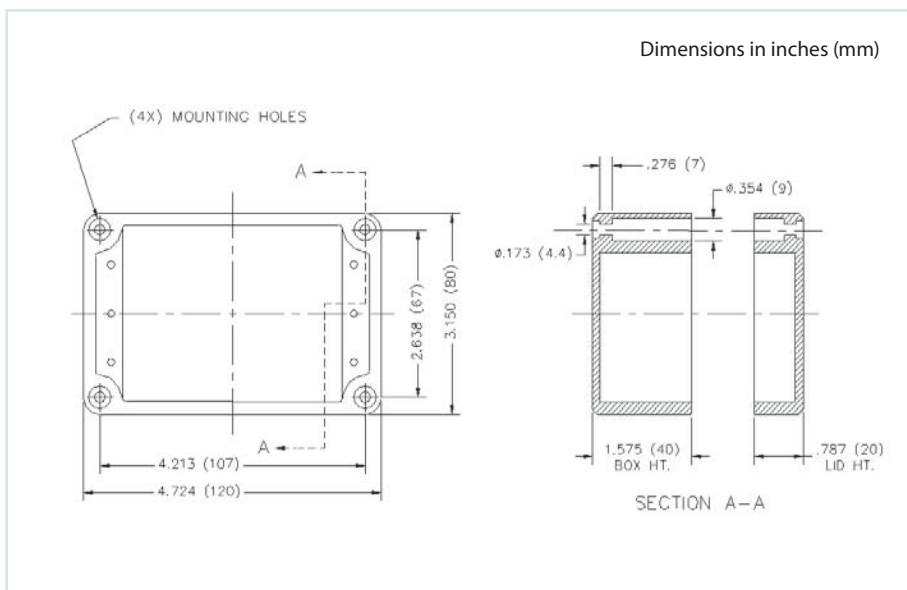
Dimensions in inches (mm)

WIRE COLOR	FUNCTION
Red	Power
Black	Power Ground
Green	X Tilt
Blue	Y Tilt
Yellow	Temperature
White	Signal Ground

Model 904 Clinometer

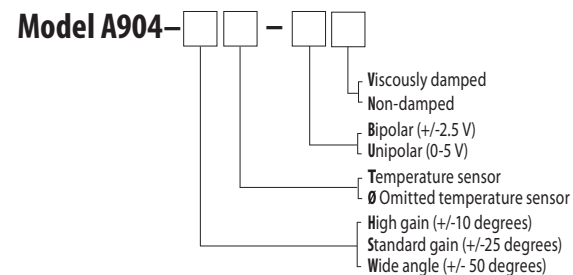


	MODEL 904-TH HIGH-GAIN VERSION	MODEL 904-TS STANDARD VERSION	MODEL 904-TW WIDE-ANGLE VERSION
ANGULAR RANGE	±10 degrees	±25 degrees	±50 degrees
SCALE FACTOR	4°/ volt typical	10°/ volt typical	25°/ volt typical
RESOLUTION	0.005 degree of angle	0.01 degree of angle	0.02 degree of angle
REPEATABILITY	0.01 degree	0.02 degree	0.04 degree
HYSTERESIS	0.01 degree	< 0.02 degree	< 0.04 degree
LINEARITY	1% of full span typical	2.5% of full span typical	7.5% of full span typical (1.2% of half span)
TIME CONSTANT, T	0.01 degree		
TILT OUTPUT	1% of full span typical		
TEMPERATURE OUTPUT	0.1°C/mV, ±0.75°C accuracy; 0°C = 0 mV (bipolar output version), 0°C = 2.5 V (0-5 V output version)		
OUTPUT IMPEDANCE	270 Ohms		
NATURAL FREQUENCY	10 Hz; available with viscous sensor to damp vibrations		
TEMPERATURE COEF.	Span: +0.03%/ oC, Zero: ±10 arc sec/ oC typical		
POWER REQUIREMENTS	+8 to +24 VDC (bipolar output version) or +10.5 to +26.5 VDC (0-5 V output version) @ 7 mA, 250 mV ripple max., reverse polarity protected		
ENVIRONMENTAL	10 to +70 degrees C operating and storage, 100% humidity		
ENCLOSURE & MOUNTING	Painted, NEMA 4X (IP65) aluminum box, 120 x 80 x 60 mm. Four 4.4 mm dia. mounting holes.		
CABLE	10 ft (3 m) multiconductor cable with PVC jacket and tinned ends, greater lengths on request		
WEIGHT	1 lb (0.4 kg)		



Model 904 Clinometer Pak

ORDER CODES:



USEFUL ACCESSORIES:

- 0-5VUP** 0-5 volt output
- VISCIDAMP** Critically damped viscous sensor
- P/N 70369** Additional cable, specify length
- P/N 62204** 6-pin male receptacle (connector) for tiltmeter cable
- P/N 62202** 6-socket in-line plug (mates to P/N 62204).
- Model 870** Readout module (requires purchase of P/N 62204)
- RMS225** Digital multimeter display unit (used with Model 870)
- 81439** Mounting bracket for vertical surfaces
- 84051** Mounting plate for horizontal surfaces



environmental systems & services
 8 River Street, Richmond VIC 3121 Australia
 T + 61 3 8420 8999 | F + 61 3 8420 8900
 geotechnical@esands.com | www.esands.com

