
POTENTIOMETER JOINTMETER

Model REPP-R

APPLICATIONS

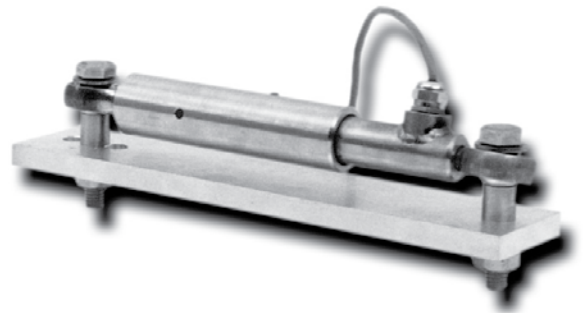
The REPP-R is a displacement sensor incorporating a linear potentiometric transducer. The REPP-R is used for the remote monitoring of the following:

- The opening and closing of cracks or construction joints in concrete, masonry or other structures
- The changes in width of discontinuities in rock masses
- The opening and closing of expansion joints in steel structures
- The stability of joints or overhanging rock
- Tension cracks or movement of critical rock blocks in incipient slide areas
- Convergence in mining and civil engineering works
- Surface or underground heave

DESCRIPTION

The REPP-R displacement sensor consists of a linear conductive plastic resistance element mounted inside a sealed stainless steel housing fitted with a telescoping plunger. The plunger is free to telescope in or out of the housing as the distance varies between the measurement points. The sensor outputs a signal proportional to the plunger travel. An electrical cable is used to transmit the output to the readout station.

The REPP-R is anchored astride the discontinuity being monitored. The outer extremities of the housing and the plunger are equipped with ball-joint linkages that mate with the mounting bolts or anchors. The ball joints compensate for any mount or transducer misalignment. The REPP-R is supplied with an installation template.



FEATURES

- Reliable conductive plastic linear potentiometer
- Rugged stainless steel housing
- Simple sensor design with no electronic parts
- Readily connects to data acquisition systems

SPECIFICATIONS

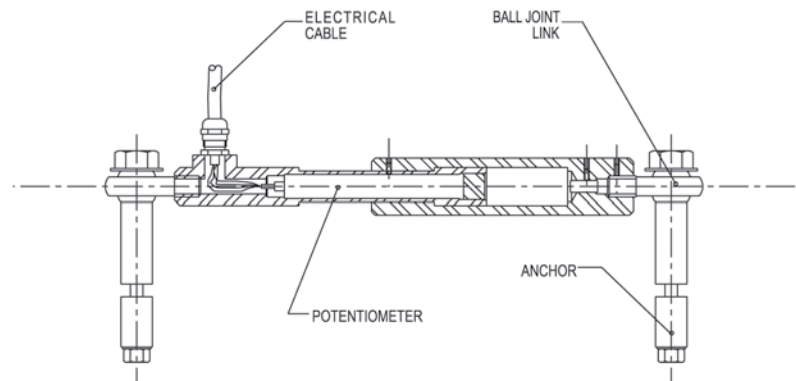
MODEL	REPP-R25	REPP-R50	REPP-R100
Range	25 mm	50 mm	100 mm
Anchor center to center distance at mid range setting	208 mm	245 mm	320 mm
Accuracy*	±0.5% F.S.	±0.5% F.S.	±0.5% F.S.
Resolution with the PALMETO P5 readout	0.01 mm	0.01 mm	0.01 mm
Rated resistance	4.7kΩ	4.7kΩ	10kΩ
Operating temperature	-20 to +80°C	-20 to +80°C	-20 to +80°C
Dimensions			
Length	235 mm	272 mm	350 mm
Diameter	28 mm	28 mm	28 mm
Weight	1.8 kg	2.0 kg	2.5 kg
Diameter of anchor holes	18 mm	18 mm	18 mm
Cable	IRC-41A(P)	IRC-41A(P)	IRC-41A(P)

* Other accuracies available upon request.

ORDERING INFORMATION

Please specify:

- Range
- Configuration
- Length of electrical cable
- Readout instruments:
PALMETO P5, SENSLOG



Model REPP-R

Products and specifications are subject to change without notice.
© Rocctest Limited, 2005.



environmental systems & services
8 River Street, Richmond VIC 3121 Australia
T + 61 3 8420 8999 | F + 61 3 8420 8900
geotechnical@esands.com | www.esands.com