

---

## POTENTIOMETER JOINTMETER

### Model REPP-R

#### APPLICATIONS

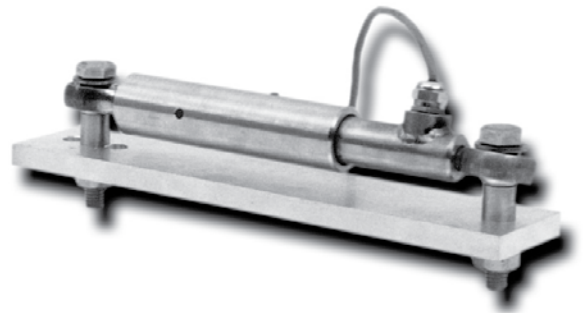
The REPP-R is a displacement sensor incorporating a linear potentiometric transducer. The REPP-R is used for the remote monitoring of the following:

- The opening and closing of cracks or construction joints in concrete, masonry or other structures
- The changes in width of discontinuities in rock masses
- The opening and closing of expansion joints in steel structures
- The stability of joints or overhanging rock
- Tension cracks or movement of critical rock blocks in incipient slide areas
- Convergence in mining and civil engineering works
- Surface or underground heave

#### DESCRIPTION

The REPP-R displacement sensor consists of a linear conductive plastic resistance element mounted inside a sealed stainless steel housing fitted with a telescoping plunger. The plunger is free to telescope in or out of the housing as the distance varies between the measurement points. The sensor outputs a signal proportional to the plunger travel. An electrical cable is used to transmit the output to the readout station.

The REPP-R is anchored astride the discontinuity being monitored. The outer extremities of the housing and the plunger are equipped with ball-joint linkages that mate with the mounting bolts or anchors. The ball joints compensate for any mount or transducer misalignment. The REPP-R is supplied with an installation template.



#### FEATURES

- Reliable conductive plastic linear potentiometer
- Rugged stainless steel housing
- Simple sensor design with no electronic parts
- Readily connects to data acquisition systems

## SPECIFICATIONS

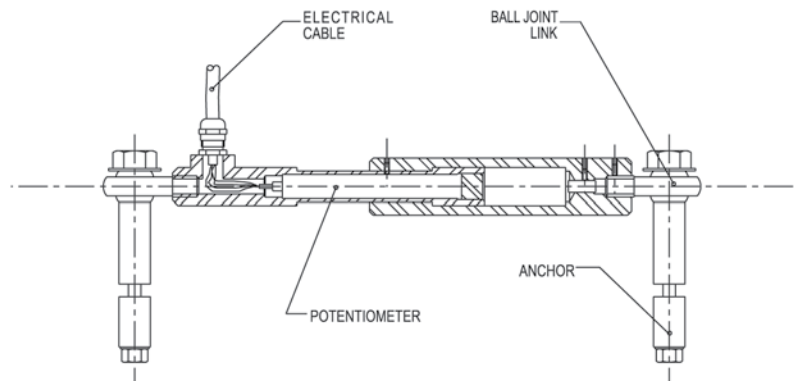
| MODEL   | REPP-R25     | REPP-R50     | REPP-R100    |
|---|--------------|--------------|--------------|
| Range   | 25 mm        | 50 mm        | 100 mm       |
| Anchor center to center distance at mid range setting | 208 mm       | 245 mm       | 320 mm       |
| Accuracy*   | ±0.5% F.S.   | ±0.5% F.S.   | ±0.5% F.S.   |
| Resolution with the PALMETO P5 readout                | 0.01 mm      | 0.01 mm      | 0.01 mm      |
| Rated resistance                                      | 4.7kΩ        | 4.7kΩ        | 10kΩ         |
| Operating temperature                                 | -20 to +80°C | -20 to +80°C | -20 to +80°C |
| Dimensions  |              |              |              |
| Length  | 235 mm       | 272 mm       | 350 mm       |
| Diameter  | 28 mm        | 28 mm        | 28 mm        |
| Weight  | 1.8 kg       | 2.0 kg       | 2.5 kg       |
| Diameter of anchor holes                              | 18 mm        | 18 mm        | 18 mm        |
| Cable   | IRC-41A(P)   | IRC-41A(P)   | IRC-41A(P)   |

\* Other accuracies available upon request.

## ORDERING INFORMATION

Please specify:

- Range
- Configuration
- Length of electrical cable
- Readout instruments:  
PALMETO P5, SENSLOG



**Model REPP-R**