
SPECIFICATIONS

Probe input range	±10 VDC
Readout resolution	40 µV (analog), 20 bits (digital)
Display	240 × 128 pixels, LCD CCFL, backlit
Units	Metric and English, as selected according to the probe type
Function keys	Six function keys to navigate within interactive menus ON/OFF key and ON/OFF backlight key
Memory	1MB RAM, with lithium battery backup, allowing to store 65 000 readings for up to 250 data sets Flash memory for factory issued software updates
Data output format	ASCII, Spreadsheet and G-Tilt™ compatible formats
Probes	Roctest RT series inclinometer probes, including horizontal and spiral probes Any probe with ±10 V range outputs
Input impedance	1.2 MΩ and 250 Ω for 4–20 mA signal
Probe power supply	Programmable (±13.7 VDC @ 100 mA)
Interfacing	Communication port: RS-232, 9600 to 115 200 baud hand switch
Internal batteries	Two rechargeable 6 volt, 7 Ah, sealed lead-acid batteries External battery charger input External power supply input
Connectors	4-pin female connector for external power input and battery charger 6-pin connector for communication port and hand switch Probe connector
Autonomy	>15 hours with LCD CCFL backlight on
Operating temperature	–20 to +70°C
Case	Waterproof, shock resistant ABS plastic
Dimensions	125 × 250 × 270 mm
Weight	4.8 kg
Utility software	ACCUTALK 2000: WINDOWS® user interface

OPTIONS

- Compatible with 4–20 mA transducers
- Internal heating element
- Cable fitted with special connectors for external power supply
- USB to serial adaptor to connect ACCULOG-iX on a PC without a serial port

ORDERING INFORMATION

Readout includes battery charger, hand switch, serial cable for connection to a PC, connector caps, ACCUTALK 2000 software and carrying case.

Please specify:

- Line voltage for battery charger (110 or 220 VAC)
- Options required



PRODUCT RESELLER

Environmental Systems & Services | 8 River Street, Richmond VIC 3121 Australia |
T + 61 3 8420 8999 | F + 61 3 8420 8900 | geotechnical@esands.com | www.esands.com

SWITCHING BOX

Model RT-VWSB



Model RT-VWSB-20-0-B-0-B-A

APPLICATIONS

The Switching Box Model RT-VWSB allows sensor leads grouping in a single location, thus providing a convenient means of taking readings. The RT-VWSB is designed to accept 4-conductor sensors and is especially fitted for vibrating wire gauges and their thermistors.

DESCRIPTION

The RT-VWSB consists of a fiberglass enclosure containing terminal blocks, rotary switches, cable input connectors and sockets for portable readout connection.

The switching box can handle up to twenty 4-conductor sensors, and allows lightning protection to be added for each of these conductors.

The RT-VWSB may be fitted with an RTX-248 multiplexer for use with a SENSLOG 1000X data acquisition system. This option is available in 8- or 16-channel versions only. Please refer to the SENSLOG 1000X brochure for more information about the RTX-248. Connection to another type of data acquisition system – not requiring the RTX-248 – is also possible through a 40-pin adapter cable (available upon request).

FEATURES

- Rugged, splashproof, non-corrosive fiberglass enclosure
- 20 channels, 4 conductors
- Lightning protection available
- Multiplexer available

ORDERING INFORMATION

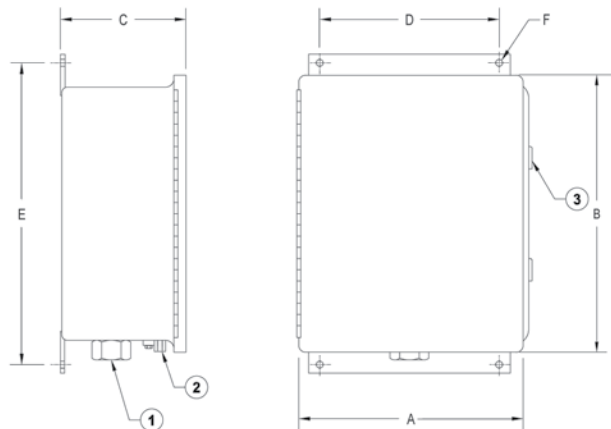
MODEL RT-VWSB XX-A-B-C-D-E

XX Number of positions	08 – 8 positions (for RTX-248 multiplexers only)
	16 – 16 positions (for RTX-248 multiplexers only)
	10 – 10 positions
	20 – 20 positions
A Enclosure	0 – Fiberglass enclosure
	A – Steel (10 and 20 positions only)
	B – Stainless steel (10 and 20 positions only)
B Lightning protection	0 – No protection (standard)
	A – Gas tube (10 and 20 positions only)
	B – Gas tube and diode
C RTX-248 multiplexer	0 – No RTX-248 (standard)
	A – RTX-248A (16 positions only) ⁽¹⁾
	C – RTX-248C (16 positions only - 2 separately addressable RTX-248F) ⁽²⁾
	F – RTX-248F (8 positions only) ⁽¹⁾
D Cable input connector	0 – No connector (standard)
	A – 50 mm (2 in.) conduit connector
	B – 10 plastic watertight connectors (fiberglass enclosure only)
	C – 20 plastic watertight connectors (fiberglass enclosure only)
	D – 8 plastic watertight connectors (fiberglass enclosure only)
	E – 16 plastic watertight connectors (fiberglass enclosure only)
	F – 10 zinc-plated steel watertight connectors
	G – 20 T&B (metallic box only)
E Front panel connector	0 – 6 female pins (standard)
	A – 6 female pins plus 4-pin Cannon connector (adapted jumper cable required)

Other specifications available upon request

SPECIFICATIONS

ENCLOSURE	12 x 8 in. NEMA 4X gray fiberglass	
ROTARY SWITCH		
Manual switching		
Contact resistance	50 MΩ max.	
Insulation resistance	1000 MΩ min.	
Automatic switching (with RTX-248 option)		
Two 0.5 V ports required (CLK, RST) ⁽¹⁾		
Four 0.5 V ports required (2 x CLK, RST) ⁽²⁾		
Dimensions		
A 292 mm	D 203 mm	
B 302 mm	E 355 mm	
C 133 mm	F 6.35 mm (diameter)	



- 1 Optional 50-mm (2 in.) conduit connector
- 2 Grounding lug
- 3 Cover latch