

NEW EXPLORATION SEISMOGRAPHS PASI MOD. 16S-U & 16S-P

www.pasisrl.it

A compact version of the well-proven Serie 16S seismograph, these new instruments are now available in **16S-U version** (with USB interface for an external PC provided by the User) and in **16S-P version** (with integrated PC).

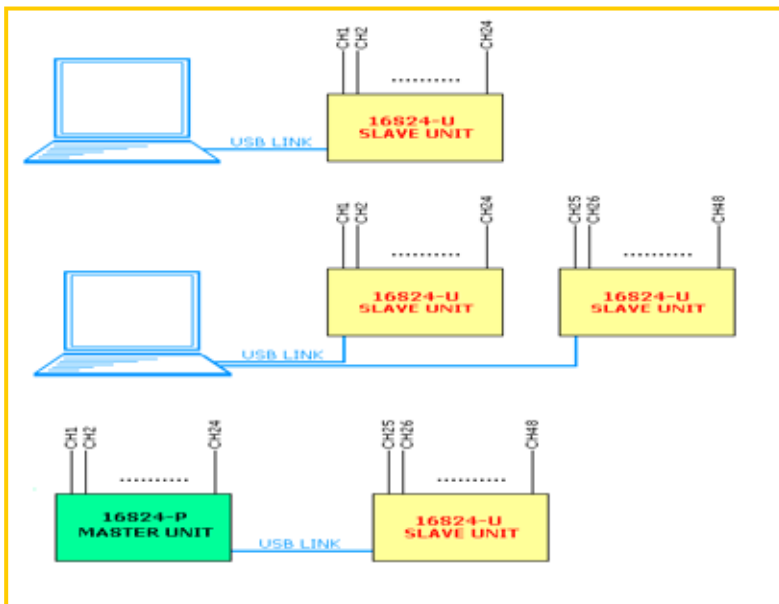
**Lighter.
Smaller.
Another step forward.**



DISTRIBUTOR



Environmental Systems & Services | 8 River Street, Richmond VIC 3121 Australia |
T + 61 3 8420 8999 | F + 61 3 8420 8900 | geotechnical@esands.com | www.esands.com



Possible configurations with models 16S24-U e 16S24-P

TECHNICAL FEATURES 16S-U e 16S-P				
	16S12-U	16S24-U	16S12-P	16S24-P
	SIS-401-000	SIS-402-000	SIS-301-000	SIS-302-000
Integrated PC	No	No	Yes	Yes
Number of channels	12	24	12	24
With 2nd unit connected in series	Up to 48			
Acquisition boards	National Instruments®			
Processor	--	--	Via Eden 500MHz or better	
Resolution	24 bit with propietor algorithm			
Operating system	--	--	Windows-XP® Embedded and 32 bit data acquisition software	
Display	--	--	Touch Screen	
Memory	--	--	solid state	
Sampling time	from 125 µs to 2 ms for all 24 canali			
Record Length	from 32 ms to 65536 ms			
Filters	Digital filters: in post-acquisition (50-60 Notch, 250LP) antialiasing: active, LPF, 8th Butterworth order; attenuation -48dB/oct (-160dB/dec); f0=5/8fnyq; accuracy ±1% cutting freq.			
Enhancement (stacking)	With/without total/partial preview			
Delay	0-8000ms (step of 1ms)			
Geophone polarity inversion	Yes			
First Picking	marker to find out the position of the video points on the time scale; possibility to save first arrivals on file for data transfer to PC			
Seismic Wave Display	wigggle-trace / variable area			
Noise-monitor	Yes, with real time "cascade" display			
Trace-size	Automatic or manual fo each channel			
External Data Output	1x USB for connecting an external PC		1xUSB for data dowload 1xUSB for the connection to a "slave" unit	
Automatic Calibration	Yes			
Data format	SEG-2, PASI			
Power supply	12V external battery			
Dimensions	30x22.5x13.2 cm		25.1x17,8x15.5 cm	
Weight (ext.battery not included)	< 3 kg		< 5 kg	